

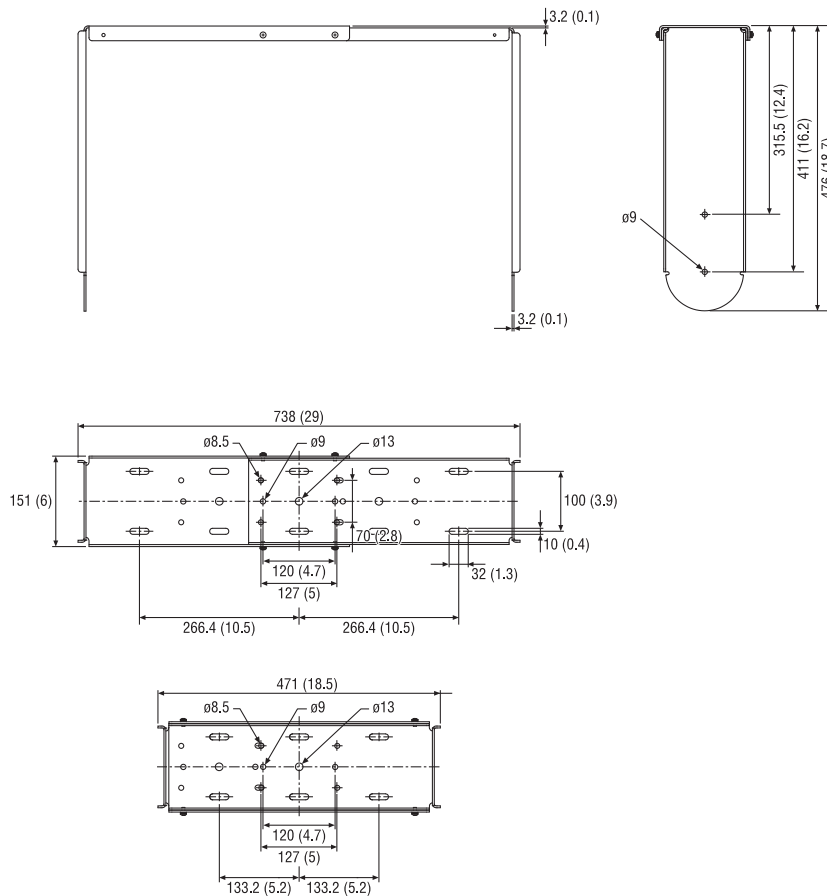
Overview

U-brackets allow simple and easy rigging in both horizontal and vertical configurations (for DXR15, DXR15 mkII, DXR15 mk3, and CXR15 mk3).



Features

Unit: mm (inch)
Weight: 7.6kg



*All information subject to change without notice.

*All trademarks and registered trademarks are property of their respective owners.

Created in April, 2026

YAMAHA CORPORATION
P.O.BOX 1, Hamamatsu Japan