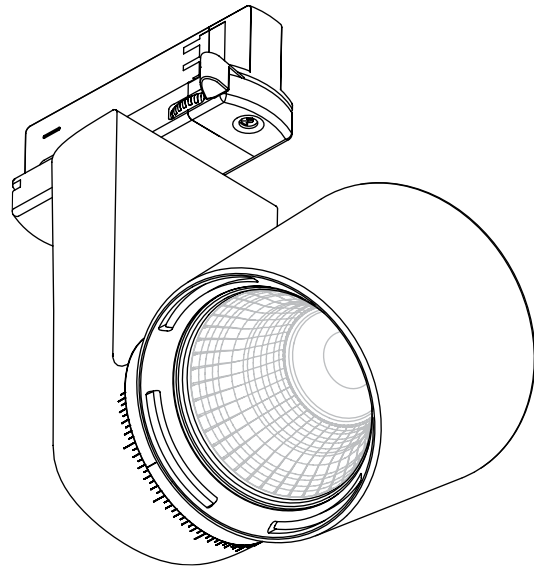
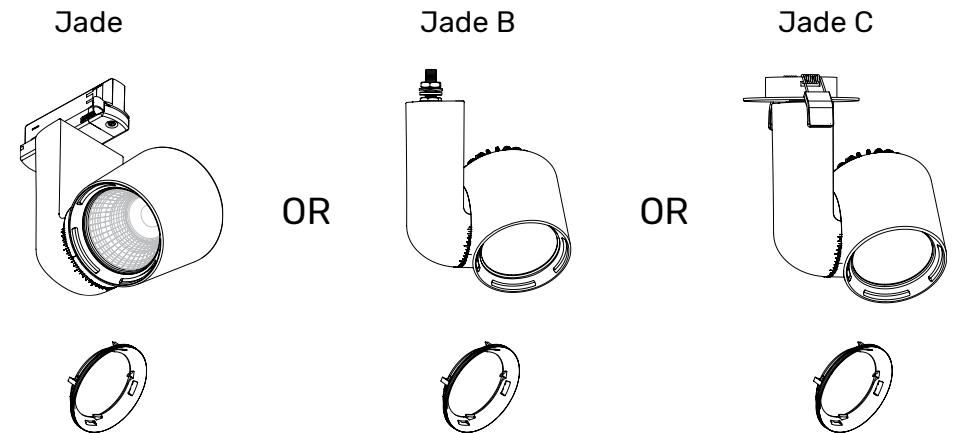


Index	2	Installation Jade B	6	Barndoor assembly	11
Safety information	2	Installation Jade C	7	Snoot / half snoot assembly	11
Content	2	Programming	8	Honey comb assembly	12
Technical	3	Wireless DMX	8	Accessories	13
Specifications	3	Bluetooth by Casambi	8	Accessory combinations	14
Installation Global	4	Programming table	9	List of symbols	15
Installation Eutrac	5	NEC programming	10		

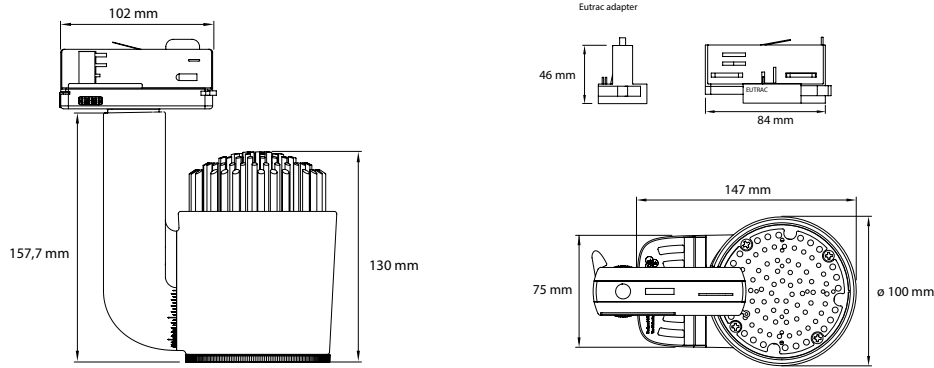


SAFETY INFORMATION


CONTENT



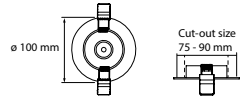
				<b>DRIVER INCLUDED</b>	<b>DRIVER INTERNAL</b>										
			<b>DMX 512</b>							<b>CLS DYNAMIC COLOUR COB</b>					



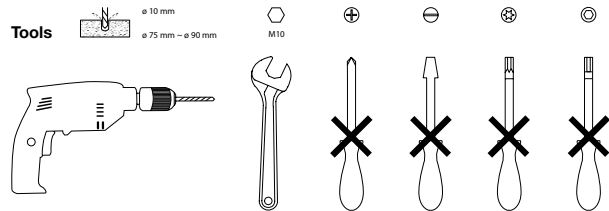
### Bolt Mounting



### Ceiling Mounting

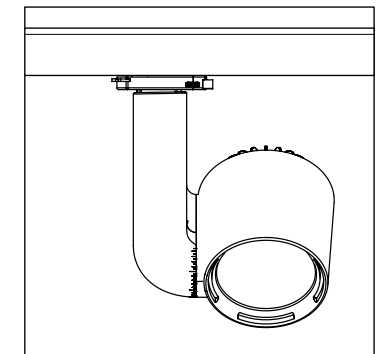
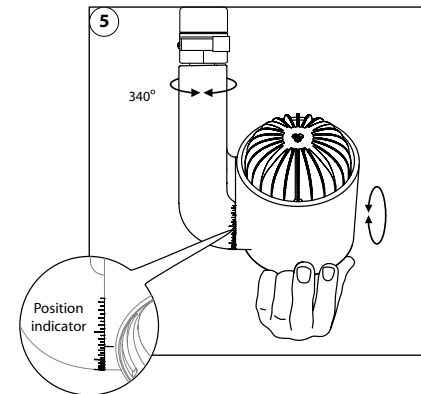
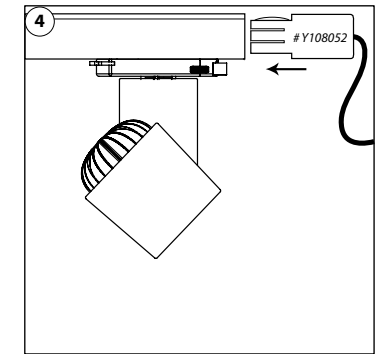
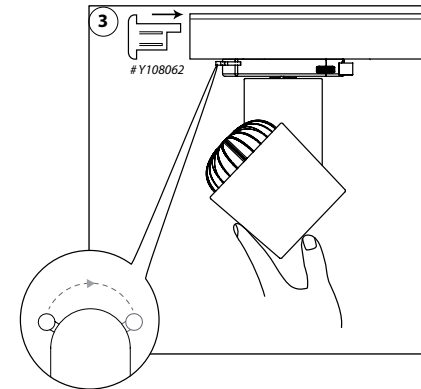
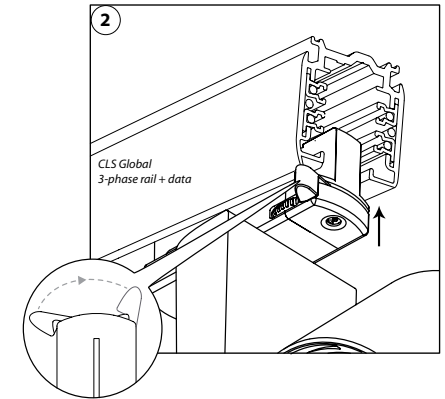
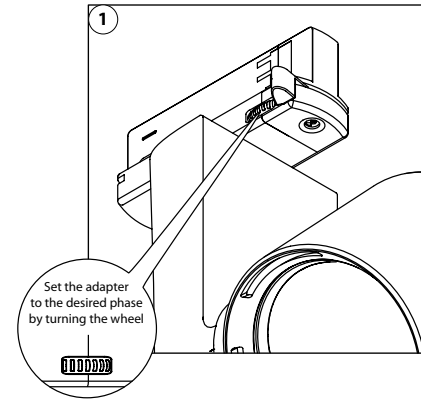


### Tools



### SPECIFICATIONS

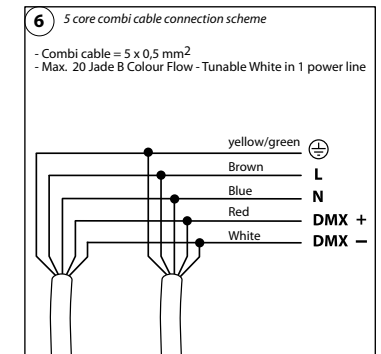
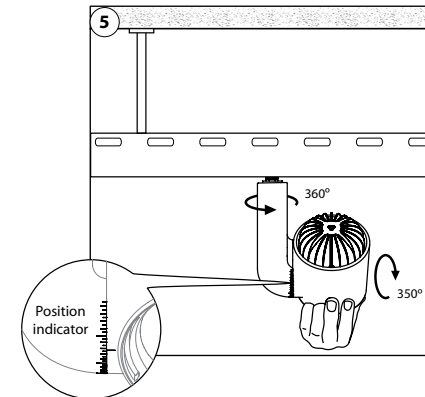
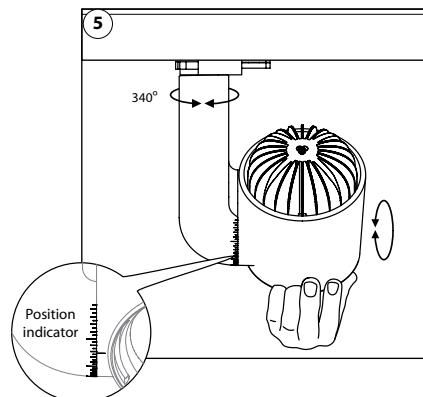
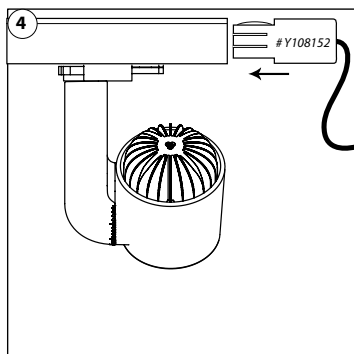
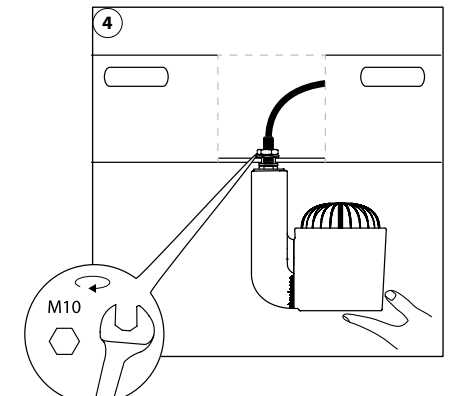
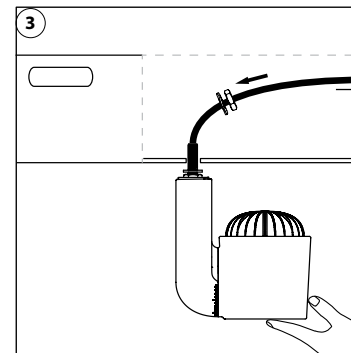
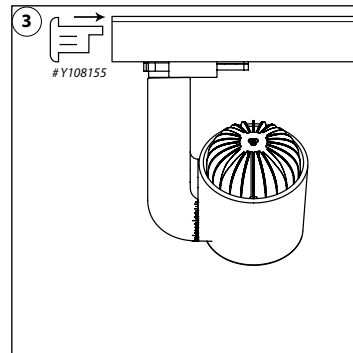
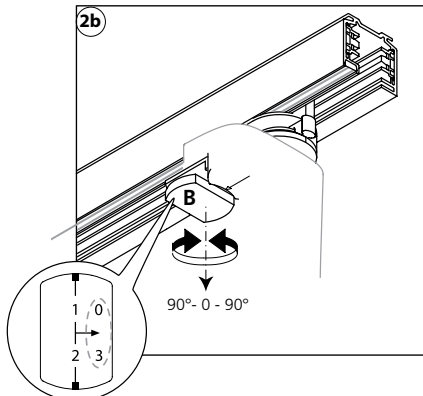
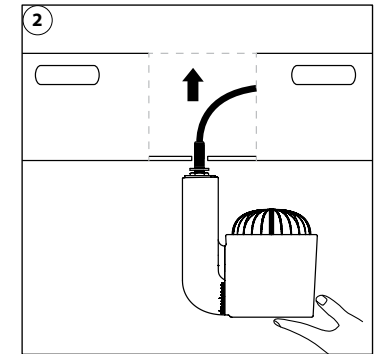
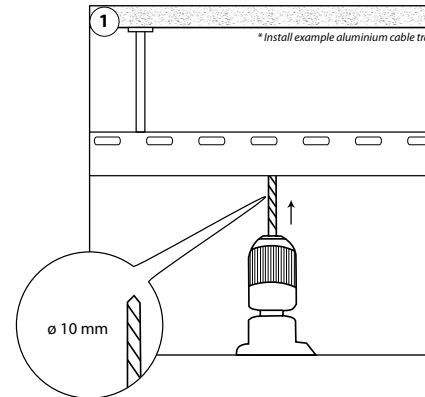
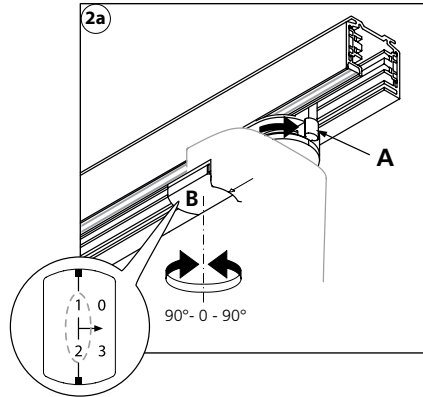
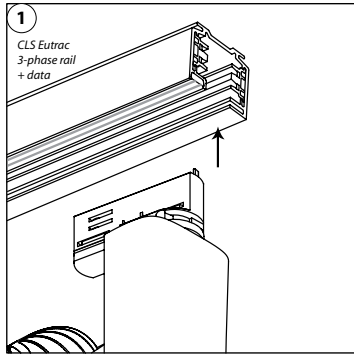
LED:	CLS Dynamic Colour CoB
Colour changing:	RGBW (3000K), RGBW (4000K) or RGBA
Tunable White:	1800K-4000K & 2700K-6500K
Beam angle:	23°, 45° or 69°
Power supply:	100 - 240 VAC
Power consumption:	Max. 30 Watt (1450 lumen)
Housing:	Black, grey or white PC (PC-ABS V0) Heatsink black or white coated aluminium
Weight:	780 gram
IP value:	IP20
Measurements:	157.7 x 100 x 100 mm (h x w x d)
Ambient temperature:	-10° C till +40° C



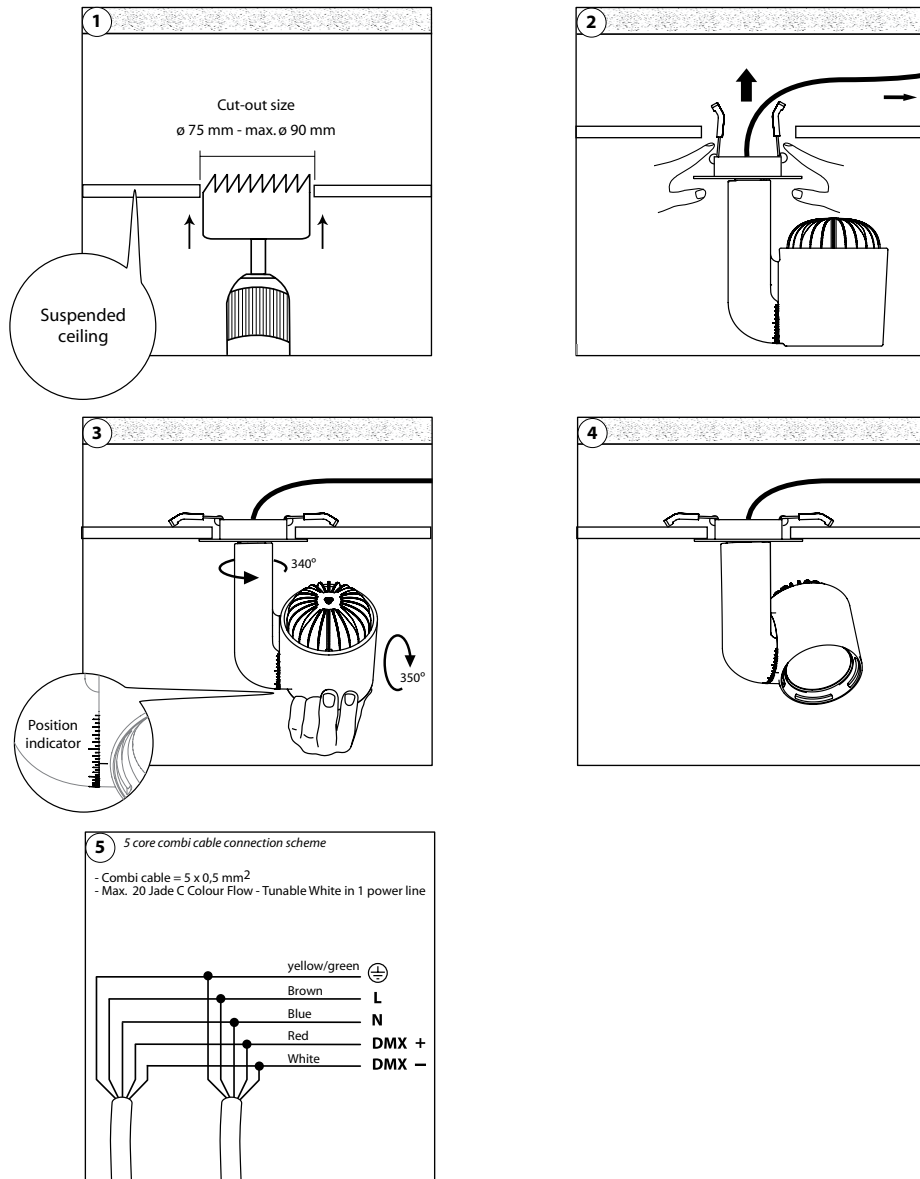
# INSTALLATION

WITH EUTRAC ADAPTER

# INSTALLATION JADE B



# INSTALLATION JADE C

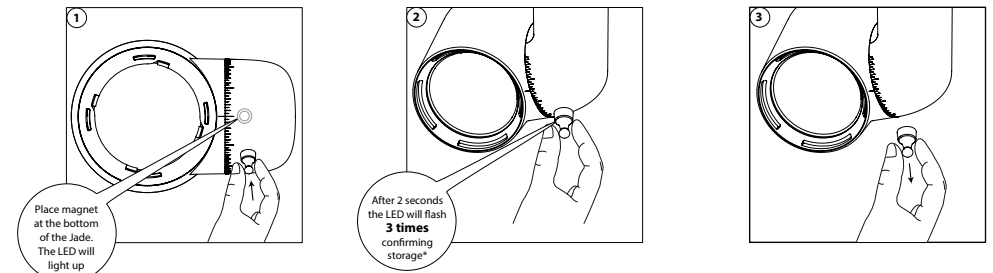


# PROGRAMMING

All settings can be configured via DMX. Settings can be configured at once or separately. When one or a couple settings needs to be changed just leave all other setting values zero. This keeps those settings unchanged. Please check the table for more information.

Always use a universal DMX controller with digital interface.

First make sure to set the DATA on the DMX controller. To program the setting into the LED fixture follow the next steps.



\* If the LEDs flashes **10 times**, something went wrong. Please try again. If the problem continues to occur, please contact your local sales distributor.

## WIRELESS DMX

See the Manual of Wireless Solutions. The Manual can be found on our CLS website, in the Downloads section. Or use the link below  
<https://www.cls-led.com/wp-content/uploads/cls-files/W-DMX-manual.pdf>

### Unlink procedure

When the fixture does not receive a DMX signal (DMX controller off), place the magnet on the bottom of the fixture for 5 seconds. Slow flash indicates that the fixture is unlinked.

## BLUETOOTH BY CASAMBI

For Casambi controlled fixtures, see the manual of Casambi. The Manual can be found on our CLS website, in the Downloads section. Or use the link below:

[https://www.cls-led.com/wp-content/uploads/cls-products/CLS\\_CASAMBI/MANUAL/Manual\\_Casambi\\_controlsistem\\_EN.pdf](https://www.cls-led.com/wp-content/uploads/cls-products/CLS_CASAMBI/MANUAL/Manual_Casambi_controlsistem_EN.pdf)



**Max. 20 pieces of Jade Colour Flow can be connected in a group. Max. 20 pieces of Jade Colour Flow per DMX line on a rail.**

# PROGRAMMING TABLE

# NFC PROGRAMMING

ONLY SUITABLE FOR DMX AND W-DMX

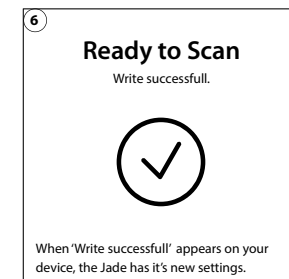
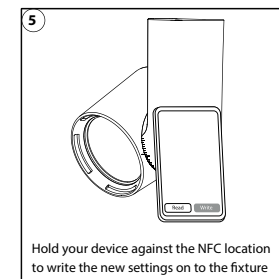
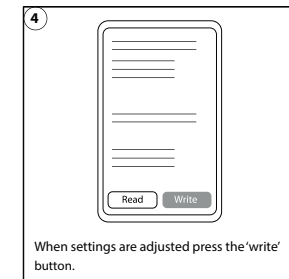
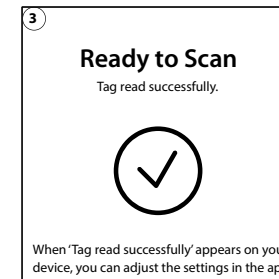
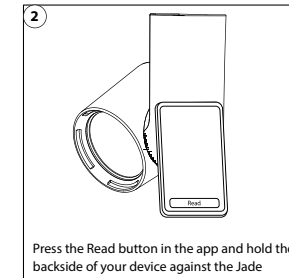
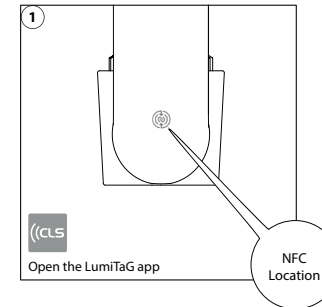
PROGRAMMING TABLE				
DMX	Function	Data	Parameters	Description
CH1	Set address 001 to 255	0	0 = no change *	Use this DMX channel to set address from 001 to 255. The configured DMX address is called "n"
		1...255	DMX address = 1...255	
CH2	Set address 256 to 508	0	no change	Use this DMX channel to set address from 256 to 508. The configured DMX address is called "n"
		1...255	DMX address = 256...508	
CH3	Static behavior	0	no change	If no DMX is present the fixture will respond like set in this function.
		1	last DMX value *	
		2	output off	
		3	load static values	
CH4	Soft dim	0	no change	When dynamic softdim is activated an extra DMX channel behind the colours and/or Master controls the soft dim reaction. If fixed no extra DMX channel is used.
		1	off *	
		2	dynamic	
		3-250	fixed interpolation delay	
CH5	Master control	0	no change	If master is first channel is selected the channel will be DMX channel "n". If master is last channel is selected the channel will be "n+x" ("x" is calculated in the output patch).
		1	no master used *	
		2	master is first channel	
		3	master is last channel	
CH6	Output 1 patch	0	no change	Each output channel can be patched to respond to the desired DMX channel. This enables the user to mix up the colours according to the controller that is used.
		1	DMX channel n	
		2	DMX channel n+1	
		3	DMX channel n+2	
		4	DMX channel n+3	
CH7	Output 2 patch	0	no change	<b>Example: all outputs are patched as 1</b> All outputs will be controlled by DMX channel "n". If master is used total DMX channels will be 2 otherwise it uses 1 channel ("x" = 1).
		1	DMX channel n	
		2	DMX channel n+1	
		3	DMX channel n+2	
		4	DMX channel n+3	
CH8	Output 3 patch	0	no change	<b>Example: output 1&amp;2 are patched as 1 and 3&amp;4 are patched as 2</b> Output 1&2 will be controlled by DMX channel "n". Output 3&4 will be controlled by DMX channel "n+1". If master is used total DMX channels will be 3 otherwise it uses 2 channels ("x" = 2).
		1	DMX channel n	
		2	DMX channel n+1	
		3	DMX channel n+2	
		4	DMX channel n+3	
CH9	Output 4 patch	0	no change	If master is used total DMX channels will be 3 otherwise it uses 2 channels ("x" = 2).
		1	DMX channel n	
		2	DMX channel n+1	
		3	DMX channel n+2	
		4	DMX channel n+3	
CH10	Static output 1	0	no change	Each output channel can be set to a static intensity.
		1	output off	
CH11	Static output 2	2...255	intensity 2...255 *(255)	If no DMX is present and Static behavior is set to "load static values". The outputs will be set to the configured intensity values.
		0	no change	
		1	output off	
CH12	Static output 3	2...255	intensity 2...255 *(255)	
		0	no change	
		1	output off	
CH13	Static output 4	2...255	intensity 2...255 *(255)	
		0	no change	
		1	output off	
CH14	Load default settings	0	no change	This function resets all settings to the Factory setting.
		1	load Factory settings	
CH15	Input Resolution setting	0	no change	In 16 bit mode 2 channels are used per colour. First channel is rough channel, second channel fine. 16 bit mode is only available in DRIVE mode 2.
		1	8 bit *	
		2	16 bit	
CH16	Drive mode setting	0	no change	You can set the frequency of the PWM for best compatibility with Camera Systems. However, the highest resolution of the dimming curve will be at the lowest frequency. Option 1 can be used to be compatible with older installation and new fixtures.
		1	compatible with version < 2020	
		2	PWM frequency 0.7kHz *	
		3	PWM frequency 1.4kHz	
		4	PWM frequency 2.8kHz	
5	PWM frequency 5.6kHz			

\* Default setting

All settings can be configured via NFC. Settings can be configured via the CLS LumiTaG App. First make sure to install the LumiTaG app on your smartphone and the NFC function is active. Your phone also needs Android version 5.0 and higher or iOS version 16.6 and higher.

**Note:** Check where the NFC antenna is located on the back of your phone. This varies per phone brand.

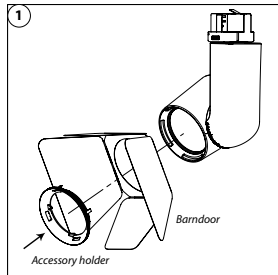
To program the settings into the LED fixture, follow the next steps. Fixture can be programmed with the Power On or Off, and a data/Wifi connection is not needed.



Want to see the video of how to use the LumiTaG app? Click [here](#)

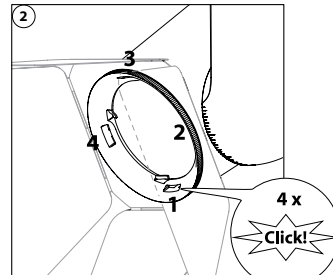
# BARNDOR ASSEMBLY

# SNOOT / HALF SNOOT ASSEMBLY



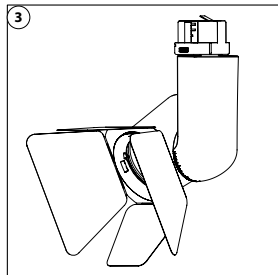
**NL** Plaats de accessoire houder met de 4 klikvingers in het midden van de montage gleuf op de Jade.

**UK** Place the accessory holder with the 4 click fingers in the middle of the mounting slot on the Jade.



Druk krachtig aan, u dient een duidelijke 'klik' te horen.

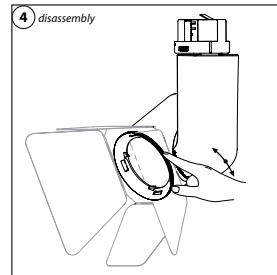
Push firmly until you hear a clear 'Click' sound.



Als u de barndoor wilt roteren voor een juiste positie, dient u dit met 1 hand te doen en met de andere hand de accessoire houder op zijn plaats te houden.

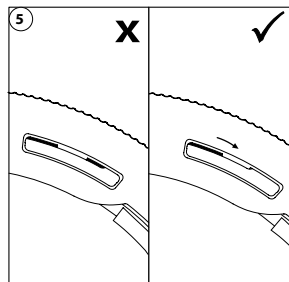
**Doet u dit niet, dan kunt u de accessoire houder losklikken!**

If you want to rotate the barndoor to find the desired position, you need to keep the accessory holder with one hand on its place. **If you don't do this you might release the accessory holder!**



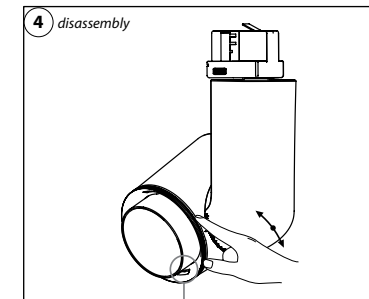
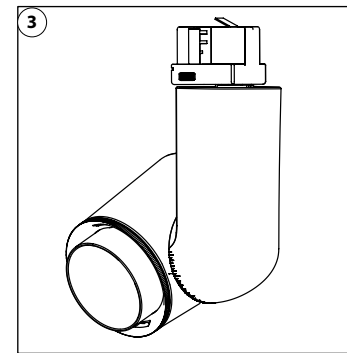
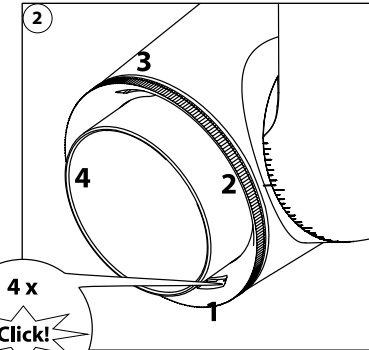
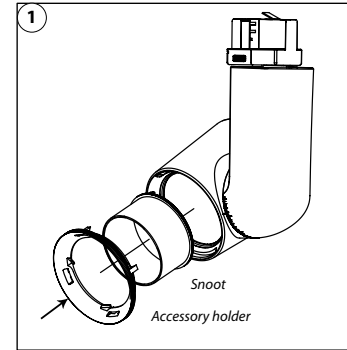
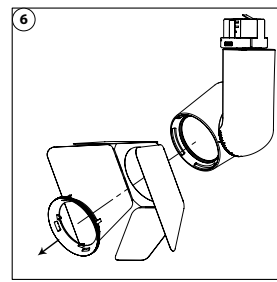
Verwijderen van de barndoor: draai de accessoire houder geheel naar links of naar rechts tot deze niet meer verder kan.

Removing the barndoor: rotate the accessory holder fully to the right or left, until you are not able to rotate it any further.

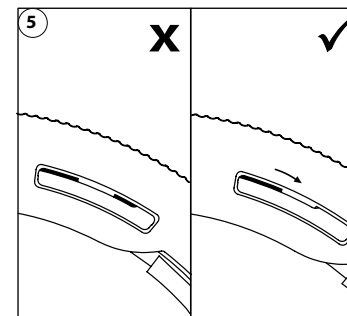


U voelt een weerstand en kunt nu de accessoire houder naar voren halen.

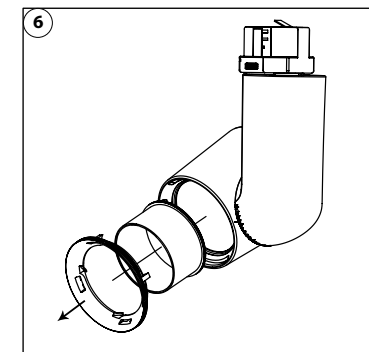
When you feel the resistance, pull the accessory holder out of the mountingslot.

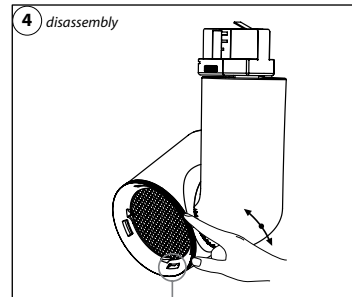
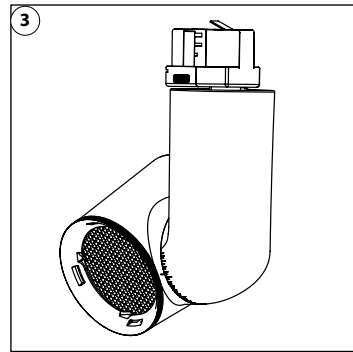
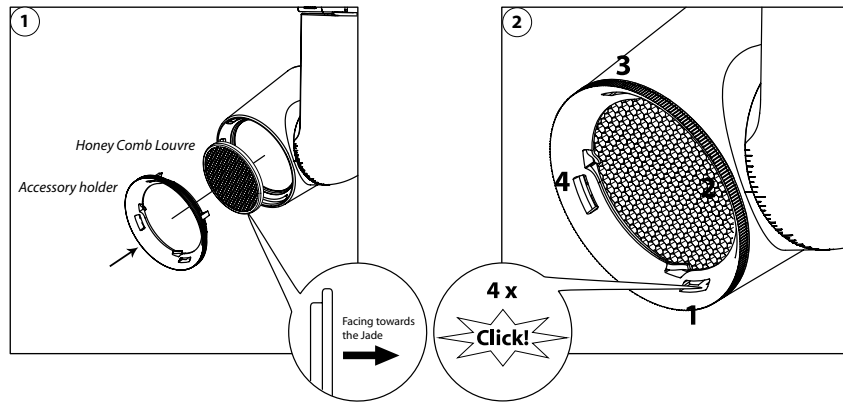


Removing the snoot: rotate the accessory holder fully to the right or left, until you are not able to rotate it any further. (See step 5)

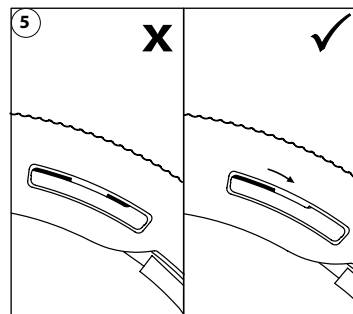


When you feel the resistance, pull the accessory holder out of the mountingslot.

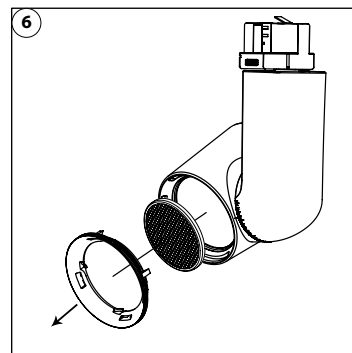




Removing the honey comb: rotate the accessory holder fully to the right or left, until you are not able to rotate it any further. (See step 5)



When you feel the resistance, pull the accessory holder out of the mountingslot.



## ACCESSORIES

### Global - black

Y108501-B	CLS Global 3-phase rail + data 1 meter black
Y108502-B	CLS Global 3-phase rail + data 2 meter black
Y108503-B	CLS Global 3-phase rail + data 3 meter black
Y108504-B	CLS Global 3-phase rail + data 4 meter black
Y108511-B	CLS Global 3-phase rail + data end feed right, black
Y108512-B	CLS Global 3-phase rail + data end feed left, black
Y108513-B	CLS Global 3-phase rail + data middle feed black
Y108515-B	CLS Global 3-phase rail + data L-coupler inner black
Y108516-B	CLS Global 3-phase rail + data L-coupler outer black
Y110938	CLS Global 3-phase rail + data end cap black

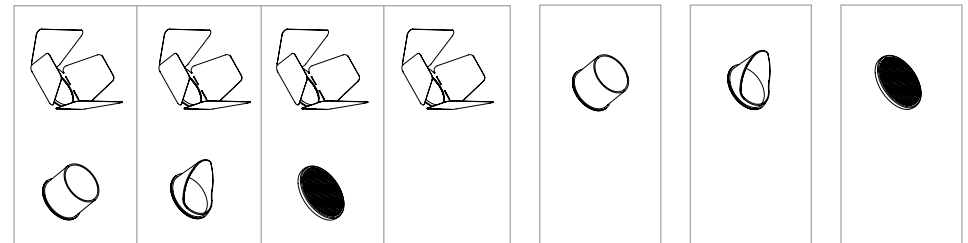
### Global - grey

Y108501-G	CLS Global 3-phase rail + data 1 meter grey
Y108502-G	CLS Global 3-phase rail + data 2 meter grey
Y108503-G	CLS Global 3-phase rail + data 3 meter grey
Y108504-G	CLS Global 3-phase rail + data 4 meter grey
Y108511-G	CLS Global 3-phase rail + data end feed right, grey
Y108512-G	CLS Global 3-phase rail + data end feed left, grey
Y108513-G	CLS Global 3-phase rail + data middle feed grey
Y108515-G	CLS Global 3-phase rail + data L-coupler inner grey
Y108516-G	CLS Global 3-phase rail + data L-coupler outer grey
Y110935	CLS Global 3-phase rail + data end cap grey

## ACCESSORIES

Y106017	CLS Magnet pin (5 pcs)
Y106200-B	CLS Jade Expo Snoot, black
Y106200-W	CLS Jade Expo Snoot, white (black inside)
Y106201-B	CLS Jade Expo Half Snoot, black
Y106201-W	CLS Jade Expo Half Snoot, white (black inside)
Y106202-B	CLS Jade Expo Barndoor, black
Y106202-W	CLS Jade Expo Barndoor, white (black inside)
Y106215	CLS Jade Expo Honey Comb louvre

## Accessory Combinations



# LIST OF SYMBOLS

	<b>Protection class</b> One, two or three		<b>Retail &amp; Food LED modules</b> Clothing, furniture, kitchens, jewellery, shoes, bread, meat, fish and vegetables & fruit.
	<b>Application area</b> Indoor or outdoor		<b>Colour</b> Available colours: Amber, blue, red or green
	<b>Application area</b> Floor, wall or ceiling		<b>White colour temperature</b> In different Kelvin values: Cold white, neutral white, warm white or extra warm white
	<b>Swivel</b> Fixture is horizontally rotatable, indicated in degrees		<b>Dim To Warm</b> Dim your fixture from 3000K to 1800K
	<b>Swivel</b> Fixture is vertically rotatable, indicated in degrees		<b>Power supply</b> In VDC, VAC or milliAmpere
	<b>Multiple connection</b> Daisychain connectivity		<b>Power consumption</b> In VA or watt
	<b>Installation depth</b> In centimeters		<b>Dimmable</b> 1-10 Volt, Phase, individual or DALI
	<b>Installation size</b> In centimeters		<b>PWM dimming</b> Traditional PWM dimming, analog or Hybrid dim
	<b>Cable length</b> Maximum cable attached to the fixture in centimeters		<b>Casambi controlled</b> By Casambi or Casambi in combination with Local Dim in a track adapter.
	<b>Driver</b> Inclusive or exclusive Internal or external		<b>Magne dimming</b> Accurate dimming from 100 - 1% by using a magnet
	<b>Weight</b> In grams/kilograms		<b>Roto Dim</b> Precise dimming from 100 - 0,01% by using a magnet
	<b>Pressure</b> Maximum pressure on the fixture in kg/cm²		<b>DMX dimmable</b> Fixture works on DMX512 protocol, Wireless DMX or RDM
	<b>Lifespan</b> Of the light source in hours		<b>Dynamic Control</b> Dynamic Power Control or Dynamic Temperature Control
	<b>Lenses</b> Available lenses, indicated in degrees		<b>Flicker Free</b> Flicker-free fixtures, eliminate light fluctuations, while improving productivity & video quality
	<b>Performance Zoom</b> Adjustable beam angle		<b>Combined product</b> Compose your own fixture
	<b>LEDs</b> Kind of LED used in the fixture		<b>Warranty</b> 3 or 5 years warranty on the product
	<b>Plug &amp; play</b> Easy connection using the SmartConnect System		<b>Conformité Européenne</b> CE marking for free marketability of industrial goods within the EU
	<b>IP value</b> Ingress Protection classifies the degrees of protection provided against the intrusion of the product		<b>Energy label</b>
	<b>Colour changing</b> RGB, RGB-W, RGB-A, AWB or Tunable White		<b>Lightsource</b> Equipped with a CLS, Bridgelux or a Xicato LED module

2026 CLS-LED BV. All rights reserved. Information subject to change without notice, CLS-LED BV and all affiliated companies disclaim liability for injury, damage direct or indirect loss, consequential or economic loss or any other loss occasioned by the use of, inability to use or reliance on the information contained in this manual. No part of this manual may be reproduced, in any form or by any means, without permission in writing from CLS-LED BV. Other legal information can be found in our General conditions, found on the back of your CLS-LED BV invoice, inside the CLS catalogue or on our website [www.cls-led.com/General-Terms.pdf](http://www.cls-led.com/General-Terms.pdf)