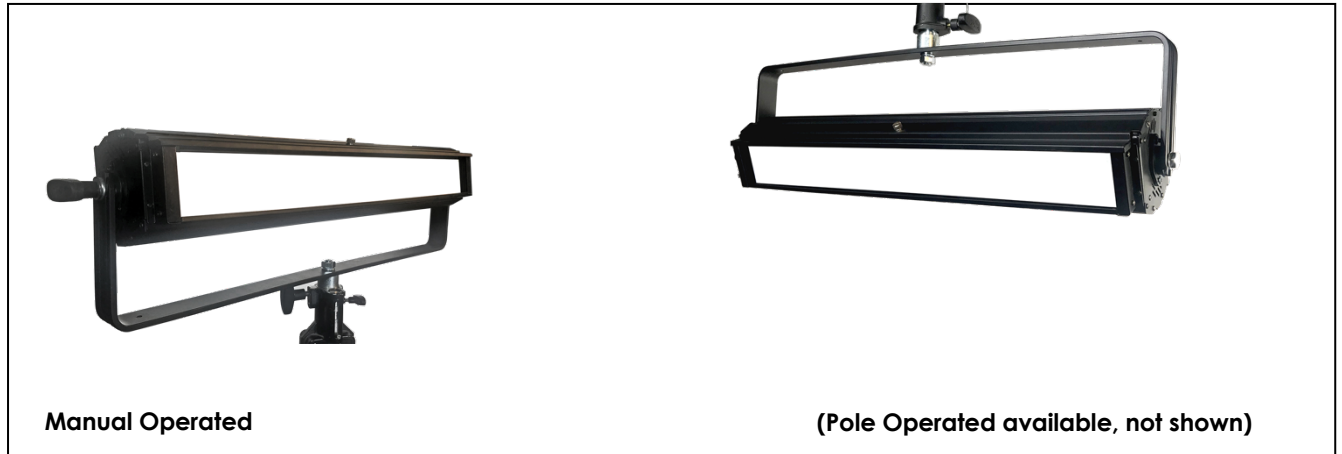


SOFT LED 1 XL Vari-White

120W LED SOFTLIGHT 90-250V 50/60 Hz

(white light, with Tunable Correlated Color Temperature from 2.800 to 6.600°K)

INSTRUCTION MANUAL



MANUFACTURER

ILT Italy S.r.l.
Via Cancelliera # 10a, 00041 Albano Laziale (Rome- Italy).
Tel. +39/06/902901 Fax. +39/06/90231051
U.R.L.: www.desisti.it E-mail: desisti@desisti.it

REPRESENTATIVE

1. INTRODUCTION

Congratulations on your purchase of a SOFT LED 1 XL VW lighting fixture.

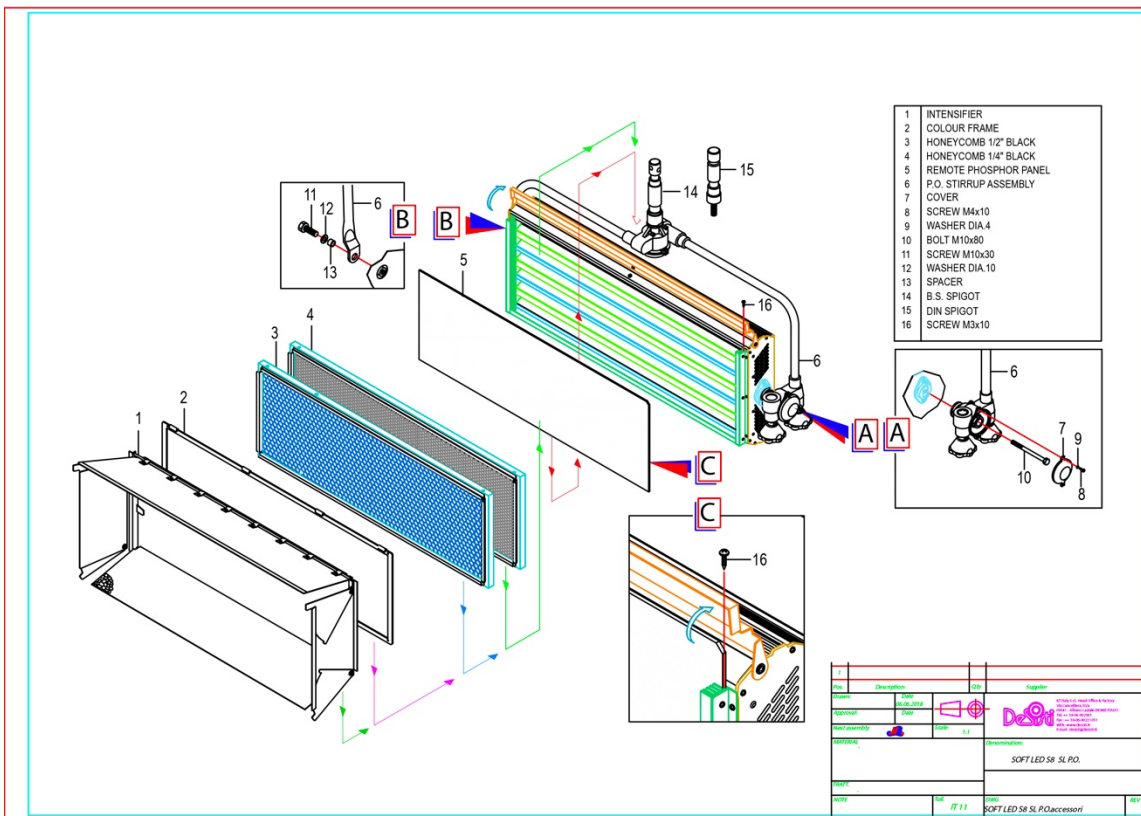
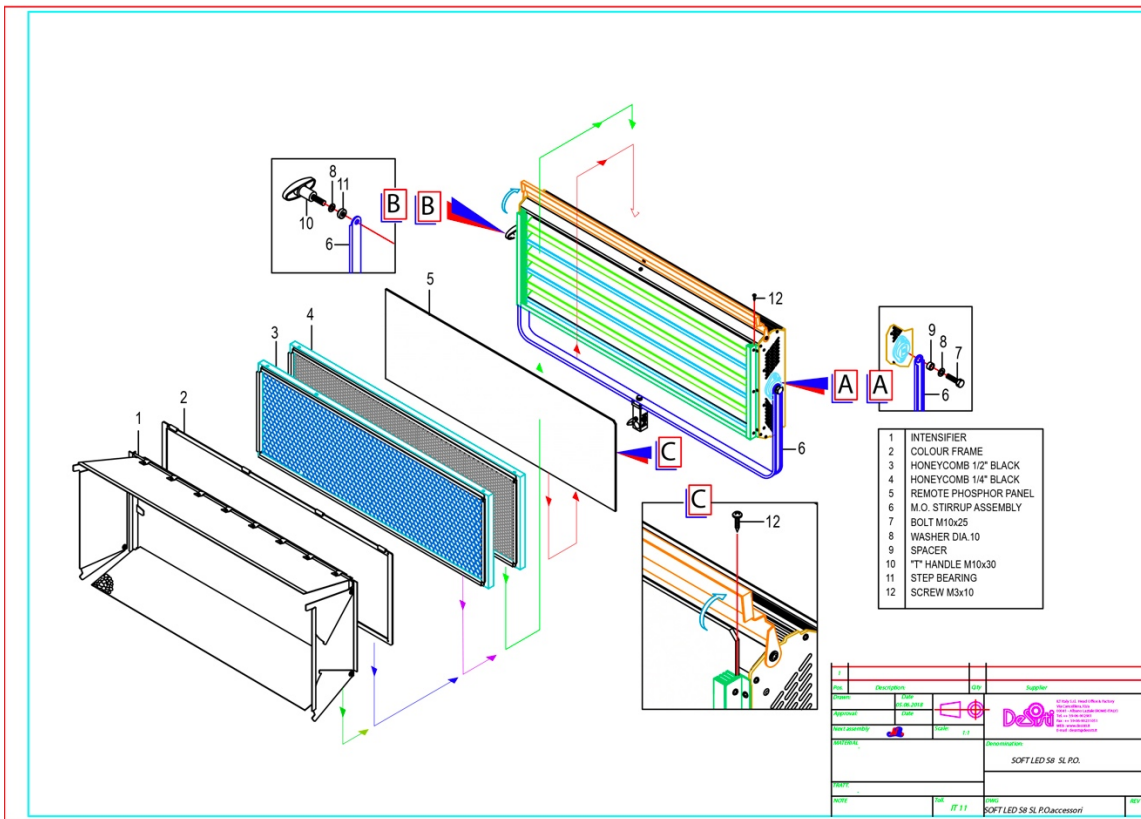
Our commitment to Total Customer Satisfaction and our consolidated experience and leadership in design innovation and manufacturing of lighting products for the professional Entertainment Industry means you can depend upon the quality of this product.

The SOFT LED 1 XL VW is a innovative Remote Phosphors 120W LED SOFTLIGHT, with a COLOR RENDERING INDEX – CRI higher than 95 for the Tungsten CCT and Higher than 91 for the Daylight CCT from a minimum of 2.800°K to a maximum of 6.600°K; it provides a smooth and soft shadow projecting beam, yet within a controlled field that makes it ideal for multiple camera set ups.

The Lighting Fixture is DMX Controlled and includes a number of parameters that can be set locally, it is equipped with either a 90-250V 50/60Hz power supply for AC feed and the front Remote Phosphors Panel is easily interchangeable and it is available with either Tungsten or Daylight Balanced CCT.

Standard accessories are available such as Black or White Honeycombs with either narrow or medium cells for different beam shaping and control, Colour Frame, Beam Intensifier and a special yoke for multiple fixtures configuration, for background lighting applications.

2. YOKE AND ACCESSORIES ASSEMBLY



3. POWER AND DMX DAISY CHAIN

The SOFT LED permits both POWER and DMX DAISY CHAIN. In fact each Fixture is respectively equipped with:

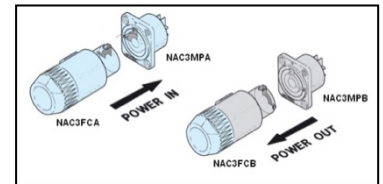


For DMX:

- 1 XLR5 pin Panel Mount Male (DMX IN)
- 1 XLR5 pin Panel Mount Female (DMX OUT)

For Mains Supply

- 1 20A Powercon NAC3MPA BLUE (POWER IN)
- 1 20A Powercon NAC3MPB WHITE (POWER OUT)




It is recommended to Daisy Chain a Max of 10 fixtures, even if the limitations imposed by DMX Standards are for an higher q.ty of units and even if the Powercon Connections are rated for 20A max.

4. SAFETY INSTRUCTIONS

⤷ Professional use: This luminaire has been designed for professional use and must be operated by qualified personnel only. Not for residential use.


⤷ Grounding: WARNING: THIS LUMINAIRE MUST BE GROUNDED

⤷  **WARNING: Disconnect Power CORDS before any maintenance work or opening the FUSE HOLDER. Risk of serious injury.**

⤷ Electrical connections: IMPORTANT The cores in this mains lead are colored in accordance with the following code:

	Europe	America
Ground	Green & yellow	Green or green & yellow
Neutral	Blue	White
Live	Brown	Black

In case the colors of the cores do not correspond to the colors of the connection points on your plug, please proceed as follows:

- the green or green and yellow core must be connected to the connection point marked with the letter E or with the symbol  or colored in green or in green - yellow;
- the blue (or white) core must be connected to the connection point marked with the letter N or colored in black;
- the brown (or black) core must be connected to the connection point marked with the letter L or colored in red.

⤷ Working Position	Lighting fixture: Max. Tilting $\pm 90^\circ$ from horizontal			
⤷ Ambient Temperature, t_a at the place of installation and Storage	Minimum 10°C, maximum +40°C			
⤷ Humidity at the place of installation and Storage	25-80% (not condensing)			
⤷ Minimum distances from inflammable surfaces	Top	Back	Sides	Front
	0,2 m.	0,1 m.	0,1 m.	0,75 m.

The luminaire should never be OPERATED close to inflammable materials. The ones indicated in the above table are the minimum distances recommended. Other requirements for safe use are:

- Do not cover the apertures of the luminaire housing. They are essential for correct ventilation.
- Use only original accessories and spares from De Sisti Lighting.
- Before hanging the luminaire ensure that the suspension point (or the stand) is properly rated to accept the luminaire weight.
- In case of pole operated use, fit only a P.O. stirrup from De Sisti Lighting.
- A suitable secondary safety suspension device (safety cable, chain or equivalent) must be fitted between the suspension point and the eyelet at the front of the body
- WARNING : DO NOT MOUNT THE LUMINAIRE ON A NORMALLY FLAMMABLE SURFACE**

5. INSTALLATION INSTRUCTIONS

The following procedure should be adopted:

Before connecting the luminaire to the electrical mains ensure that:

- A. Earth line is present on the power socket.
- B. The mains voltage is within the rated range of the luminaire (see technical data on the rating label)
- C. The front safety Shield is present and in good condition.
It consists of a Remote Phosphors Panel 305 x 107 mm.



WARNINGS :

- Do not operate the product if the ambient temperature exceeds 40° C
- Provide a minimum clearance of 0,1m (4 in.) around fans and air vents.
- SHIELDS, LENSES SAFETY OR DICHROIC GLASSES SHALL BE CHANGED IF THEY HAVE BECOME VISIBLY DAMAGED TO SUCH AN EXTENT THAT THEIR EFFECTIVENESS IS IMPAIRED, FOR EXAMPLE BY CRACKS OR DEEP SCRATCHES.
- THE LUMINAIRE SHALL ONLY BE USED COMPLETE WITH ITS PROTECTIVE SHIELD

D. Applying power:

Never connect to dimmer power. Install a power plug on the power cable using the following pin assignment:

1 : Neutral 2 : Live Green/Yellow : Ground - This fixture must be connected to ground.

Make sure the local power voltage is within the range specified. If so; connect the power cable and turn the power on.

E. Stand Alone operation:

Using the navigation buttons and display readout (refer to the “Local Menu” chapter)
navigate to Manual and set the desired intensity (for additional operations see “Local Menu” chapter)

F. DMX operation:

Connect a DMX cable

Navigate to Address mode (Addr) and set the desired address, (refer to the “Local Menu” chapter).

Connect to DMX controller (refer to the “Channel Setting” in the “Local Menu” chapter) and Use it.

6. LOCAL MENU

The SOFT LED1 Vari-White has a GRAPHIC DISPLAY backlit, with two local knobs, each one having a push/click function in addition to the rotation:



KNOB 1




It is as a DEFAULT the CCT Variation Knob, By rotating it clockwise the CCT Changes from 2.750°K up to 6.900 °K. If such a knob is kept pushed, it provides a FAST ACTION on the KNOB 2 which is normally the DIMMING



Display It is a Graphic, backlit LCD Display. It contains all the relevant information for the product setup and performances, such as CCT, DMX Address, DMX Level, LED Temperature and local dimming. When the local knobs are not used for more than 5 seconds the display back illumination will go OFF and the display itself will go in STAND BY Mode. It will go ON again anytime a KNOB is activated.

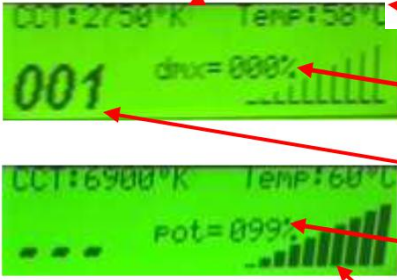
KNOB 2 It is as a DEFAULT the DIMMING Variation Knob, By rotating it clockwise the Dimming of the Light Changes from Output to Full Light Output. If such a knob is pushed, it has the selection or enter function to, for instance, enter into a Menu

DEFAULT SETTINGS ARE INDICATED IN BOLD LETTERS ON THE FOLLOWING TABLE:

The following are the BASIC FUNCTIONS and COMMANDS that are provided on the LOCAL MENU of the SoftLED. The unit is provided with a USER MENU accessible instantly on the product.

1st MENU Displayed (scrolling with the ▲ and the ▼ buttons)	2nd MENU Displayed (after pressing the X that stands for ENTER)	Explanation of Each MENU FUNCTION																																																																		
		<p>DMX ADDRESS</p> <p>This Function is to SET the DMX address from 1 to 512 The Product is delivered with a default setting of the DMX address at 1. As indicated next to each picture, it is required to reach the DMX addr Menu, select the preferred base DMX Address and Select it. Once the DMX Address is SET, in order to return to the MAIN MENU, it is necessary to rotate KNOB 2 counter-clock-wise to return to the EXIT item and then select it by pressing KNOB 2 itself. The Product is delivered with a default setting of the DMX address at 1.</p> <p>As indicated next to each picture, it is required to reach the DMX addr Menu, select the preferred base DMX Address and Select it.</p> <p>Once the DMX Address is SET, in order to return to the MAIN MENU, it is necessary to rotate KNOB 2 counter-clock-wise to return to the EXIT item and then select it by pressing KNOB 2 itself.</p> <div data-bbox="858 786 1453 1122"> <table border="1"> <thead> <tr> <th>DMX CIRCUITS</th> <th>Base</th> <th>Base + 1</th> <th>Base + 2</th> <th>Base + 3</th> </tr> </thead> <tbody> <tr> <td>Function</td> <td colspan="2">Dimmer (16 Bit)</td> <td>CCT adjustment</td> <td>CCT Mode Setting</td> </tr> <tr> <td></td> <td>Gross</td> <td>Fine</td> <td>LINEAR MODE DMX Base + 3 0% to 100%</td> <td>STEP MODE DMX Base + 3 0% to 100%</td> </tr> <tr> <td></td> <td colspan="2">These two DMX Circuits must be set in 16 Bit Mode on the console.</td> <td>In LINEAR MODE the increment for each 1% of DMX Level increase is approximately 41.5°K, starting from 2.750°K</td> <td>DMX values from 0 to 100% CCT adjustment in LINEAR MODE</td> </tr> <tr> <td></td> <td></td> <td></td> <td></td> <td>DMX values from 51 to 100% CCT adjustment in STEP MODE</td> </tr> <tr> <td></td> <td></td> <td></td> <td></td> <td> <table border="1"> <thead> <tr> <th>DMX values from</th> <th>DMX values to</th> <th>CCT</th> </tr> </thead> <tbody> <tr><td>0%</td><td>10%</td><td>2.750°K</td></tr> <tr><td>11%</td><td>20%</td><td>2.880°K</td></tr> <tr><td>21%</td><td>30%</td><td>3.000°K</td></tr> <tr><td>31%</td><td>40%</td><td>3.200°K</td></tr> <tr><td>41%</td><td>50%</td><td>3.500°K</td></tr> <tr><td>51%</td><td>60%</td><td>4.000°K</td></tr> <tr><td>61%</td><td>70%</td><td>4.500°K</td></tr> <tr><td>71%</td><td>80%</td><td>5.000°K</td></tr> <tr><td>81%</td><td>90%</td><td>5.500°K</td></tr> <tr><td>91%</td><td>99%</td><td>6.000°K</td></tr> <tr><td>100%</td><td></td><td>6.900°K</td></tr> </tbody> </table> </td> </tr> </tbody> </table> </div>	DMX CIRCUITS	Base	Base + 1	Base + 2	Base + 3	Function	Dimmer (16 Bit)		CCT adjustment	CCT Mode Setting		Gross	Fine	LINEAR MODE DMX Base + 3 0% to 100%	STEP MODE DMX Base + 3 0% to 100%		These two DMX Circuits must be set in 16 Bit Mode on the console.		In LINEAR MODE the increment for each 1% of DMX Level increase is approximately 41.5°K, starting from 2.750°K	DMX values from 0 to 100% CCT adjustment in LINEAR MODE					DMX values from 51 to 100% CCT adjustment in STEP MODE					<table border="1"> <thead> <tr> <th>DMX values from</th> <th>DMX values to</th> <th>CCT</th> </tr> </thead> <tbody> <tr><td>0%</td><td>10%</td><td>2.750°K</td></tr> <tr><td>11%</td><td>20%</td><td>2.880°K</td></tr> <tr><td>21%</td><td>30%</td><td>3.000°K</td></tr> <tr><td>31%</td><td>40%</td><td>3.200°K</td></tr> <tr><td>41%</td><td>50%</td><td>3.500°K</td></tr> <tr><td>51%</td><td>60%</td><td>4.000°K</td></tr> <tr><td>61%</td><td>70%</td><td>4.500°K</td></tr> <tr><td>71%</td><td>80%</td><td>5.000°K</td></tr> <tr><td>81%</td><td>90%</td><td>5.500°K</td></tr> <tr><td>91%</td><td>99%</td><td>6.000°K</td></tr> <tr><td>100%</td><td></td><td>6.900°K</td></tr> </tbody> </table>	DMX values from	DMX values to	CCT	0%	10%	2.750°K	11%	20%	2.880°K	21%	30%	3.000°K	31%	40%	3.200°K	41%	50%	3.500°K	51%	60%	4.000°K	61%	70%	4.500°K	71%	80%	5.000°K	81%	90%	5.500°K	91%	99%	6.000°K	100%		6.900°K
DMX CIRCUITS	Base	Base + 1	Base + 2	Base + 3																																																																
Function	Dimmer (16 Bit)		CCT adjustment	CCT Mode Setting																																																																
	Gross	Fine	LINEAR MODE DMX Base + 3 0% to 100%	STEP MODE DMX Base + 3 0% to 100%																																																																
	These two DMX Circuits must be set in 16 Bit Mode on the console.		In LINEAR MODE the increment for each 1% of DMX Level increase is approximately 41.5°K, starting from 2.750°K	DMX values from 0 to 100% CCT adjustment in LINEAR MODE																																																																
				DMX values from 51 to 100% CCT adjustment in STEP MODE																																																																
				<table border="1"> <thead> <tr> <th>DMX values from</th> <th>DMX values to</th> <th>CCT</th> </tr> </thead> <tbody> <tr><td>0%</td><td>10%</td><td>2.750°K</td></tr> <tr><td>11%</td><td>20%</td><td>2.880°K</td></tr> <tr><td>21%</td><td>30%</td><td>3.000°K</td></tr> <tr><td>31%</td><td>40%</td><td>3.200°K</td></tr> <tr><td>41%</td><td>50%</td><td>3.500°K</td></tr> <tr><td>51%</td><td>60%</td><td>4.000°K</td></tr> <tr><td>61%</td><td>70%</td><td>4.500°K</td></tr> <tr><td>71%</td><td>80%</td><td>5.000°K</td></tr> <tr><td>81%</td><td>90%</td><td>5.500°K</td></tr> <tr><td>91%</td><td>99%</td><td>6.000°K</td></tr> <tr><td>100%</td><td></td><td>6.900°K</td></tr> </tbody> </table>	DMX values from	DMX values to	CCT	0%	10%	2.750°K	11%	20%	2.880°K	21%	30%	3.000°K	31%	40%	3.200°K	41%	50%	3.500°K	51%	60%	4.000°K	61%	70%	4.500°K	71%	80%	5.000°K	81%	90%	5.500°K	91%	99%	6.000°K	100%		6.900°K																												
DMX values from	DMX values to	CCT																																																																		
0%	10%	2.750°K																																																																		
11%	20%	2.880°K																																																																		
21%	30%	3.000°K																																																																		
31%	40%	3.200°K																																																																		
41%	50%	3.500°K																																																																		
51%	60%	4.000°K																																																																		
61%	70%	4.500°K																																																																		
71%	80%	5.000°K																																																																		
81%	90%	5.500°K																																																																		
91%	99%	6.000°K																																																																		
100%		6.900°K																																																																		
		<p>CHANNEL SETTING (RESOLUTION & FUNCTION)</p> <p>This function is to SET THE DIMMING RESOLUTION either at 8 bits or at 16 bits. Select DMX resol by rotating and pushing KNOB2, the following choices are available: - 8 bits resolution (the display will show 8 bit). The fixture utilizes 1 DMX Circuit for the Light Dimming, which is the BASE CIRCUIT set in the ADDRESS. - 16 bits: 16 bits resolution (the display will show 16 bit and this is the default setting). The fixture utilizes 2 DMX Circuits: The Base Circuit set in the address is the Coarse Dimming, the second Circuit (Base +1) is the Fine Dimming. Of course the benefit of the 16 bits function the corresponding circuits on the DMX Lightline Board shall also be set at 16 bits.</p>																																																																		
		<p>LOCAL DIMMING CONTROL</p> <p>This function is to LOCALLY DIM the LED INTENSITY from 0 to 100% (Product is delivered with default setting of the Dimmer at 0) he right knob is doing the dimming action and it goes with a fine tuning in normal condition, or a fast dimming when rotating KNOB 2 while keeping KNOB 1 pressed in.</p>																																																																		

1st MENU Displayed (scrolling with the ▲ and the ▼ buttons)	2nd MENU Displayed (after pressing the X that stands for ENTER)	Explanation of Each MENU FUNCTION												
		<p>LOCAL CORRELATED COLOUR TEMPERATURE CONTROL</p> <p>This Function is to LOCALLY ADJUST the CORRELATED COLOUR TEMPERATURE from 2.800°K to 6.600°K (Product is delivered with a default setting of the CCT at 2.800°K).</p> <p>The rotation of KNOB 1 will determine CCT increments according to the following table (STEP MODE). If a continuous CCT adjustment is required (LINEAR MODE) it is necessary to operate through a DMX Console: please see DMX parameters above.</p> <p>local dimming setting will be maintained and will be automatically recalled after power off, when turning the power on again.</p> <table border="1" data-bbox="1257 208 1361 577"> <thead> <tr> <th>CCT</th> </tr> </thead> <tbody> <tr><td>2.750°K</td></tr> <tr><td>2.880°K</td></tr> <tr><td>3.000°K</td></tr> <tr><td>3.200°K</td></tr> <tr><td>3.500°K</td></tr> <tr><td>4.000°K</td></tr> <tr><td>4.500°K</td></tr> <tr><td>5.000°K</td></tr> <tr><td>5.600°K</td></tr> <tr><td>6.000°K</td></tr> <tr><td>6.900°K</td></tr> </tbody> </table>	CCT	2.750°K	2.880°K	3.000°K	3.200°K	3.500°K	4.000°K	4.500°K	5.000°K	5.600°K	6.000°K	6.900°K
CCT														
2.750°K														
2.880°K														
3.000°K														
3.200°K														
3.500°K														
4.000°K														
4.500°K														
5.000°K														
5.600°K														
6.000°K														
6.900°K														
		<p>LOCAL OR REMOTE CONTROL SETTINGS</p> <p>The LED Fresnel has the facility to block the LOCAL DIMMING and CCT SETTING and maintain it when the Power is turned first OFF and then ON again. This allows for the Light to be tuned and focused locally and its dimming plus CCT level can be blocked, so that for instance a system lighting a Set can be operated by a remote switch or simple brackets by turning POWER ON.</p> <p>The machine is set to Auto save OFF as default: in this condition the Fixture can be controlled locally until a DMX device is connected to it. Once the Console will be acting it will take priority over any local control.</p> <p>To turn the Autosave ON please follow these instructions:</p> <ul style="list-style-type: none"> - rotate KNOB 2 and select Auto save OFF - press KNOB 2 to highlight the status of Auto save, in this case OFF - rotate KNOB 2 to turn the status of Auto save to ON and press it - leave the setting in this condition: the light will ignore any DMX control <p>In this code any local dimming setting will be maintained and will be automatically recalled after power off, when turning the power on again</p>												

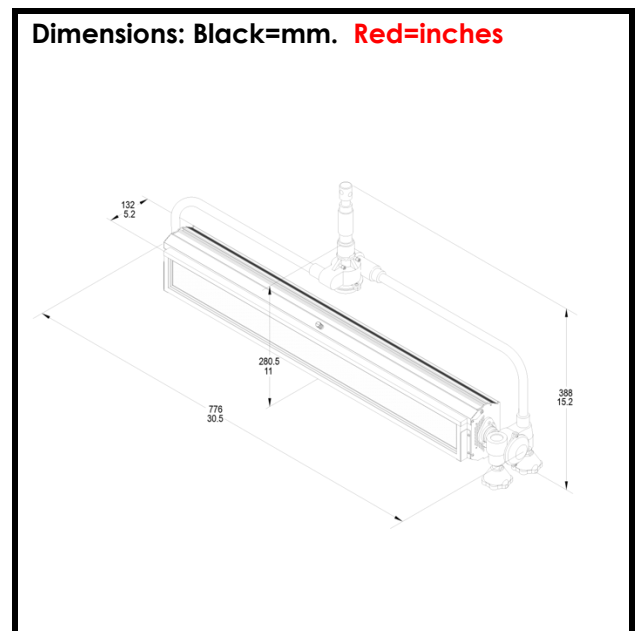
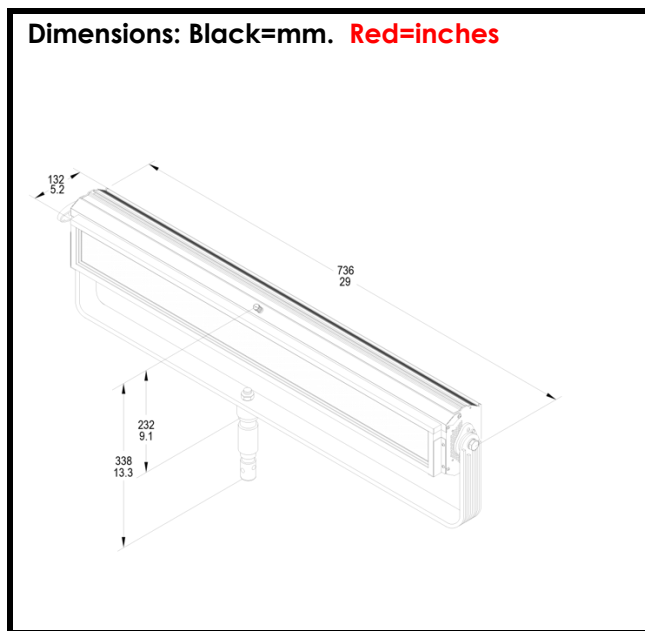
		INFORMATION PROVIDED ON THE DISPLAY
	<p>Display of Correlated Colour Temperature</p> <p>Display of LED Case TEMPERATURE</p> <p>Display of DMX Level</p>	
	<p>DMX Address</p> <p>Display of local potentiometer level (when in local control or turned off turned DMX controller)</p> <p>Graphic Scale of Dimming</p>	

7. CHARACTERISTICS AND PERFORMANCE DATA

DESCRIPTION	VALUE	DESCRIPTION	VALUE	
↻ LED Power	120 W	↻ Protection Type	IP 22	
↻ Power Consumption	140W @230V / 150W @ 120V	↻ Max Housing temperature	70 °C	
↻ DMX Data link USITT DMX512-A	<ul style="list-style-type: none"> ↻ 5-pin XLR for DMX in & out. ↻ Use shielded data cables. Do not overload the daisy chain. ↻ Up to a maximum of 32 devices can be used on a single DMX chain. 	↻ Weight of Fixture With yoke (integrated PSU)	M.O.	P.O.
			4,1 kg.	5,3 kg.
↻ DMX Channels:	<ul style="list-style-type: none"> ↻ 3: Dimmer/Light Intensity, CCT Control, Mode of CCT Control (steps and continuous) 	↻ Size & types of Remote Diffuser Panels	CRI>95 TLCI >96	
		↻ Front Fixture's Opening	Front *****	
↻ Protection Class	Class 1– ground connection required			

Specifications subject to change without notice.

8. DIMENSIONS



9. PERIODIC INSPECTION & MAINTENANCE

This product requires very little routine maintenance, if any, but has special cleaning instructions:
Disconnect fixture from power and allow it to cool for 10 min.

1. Vacuum or gently blow away any dust from fan blades and grills
2. Very gently clean the LED with Isopropyl alcohol.
3. Clean the Phosphors Panel with a soft damp cloth.
4. Check the condition of the safety shield (see chapter: Installation Instructions) before every use.

5. Check Power supply cable and DMX control cable proper conditions

10. SAFETY STANDARDS

Europe: The product conforms the Applicable European Directives & Standards

- ☞ Low Voltage Directive: 73/23/EEC (as amended by 93/68/EEC)
- ☞ EMC Directive: 89/336/EEC (as amended by 92/31/EEC & by 93/68/EEC)
- ☞ European Standards:: EN 60598-2-17, EN 60598-1 , EN 55015 , EN 61547

Disposing of this product:

Help preserve the environment! Ensure that this product is recycled at the end of its life.
This product is in compliance with the RoHS and WEEE directives.