

Features

LED Type- Cree XPE 2	Fast Service Design
LED Hours- 50,000	Modular Construction
Custom Integrated Lens	Indigo Backlighter LED's
High Contrast Beams	Pan- 630°
Beam Angle- 10°	Tilt- 270°
7 Modules with Discreet Control	Ultra Fast Pan and Tilt Movement
6 Moving Modules- 36 Degrees X/Y Movement	Max Speed Pan- 360° (seconds)- 2.13
Onboard Dynamic Macros	Max Speed Tilt- 252° (seconds)- 1.63
Environment Fan Control	Pan and Tilt Locks
Electronic Cooling System Control	Integrated Yoke Arm Handles- (C1 & W1 Only)
Control Options- DMX 512/RDM	Full Color LCD Display W/ Battery Mode
Enhanced and Reduced Protocols	3-Pin, 5-Pin Male and Female XLR Connectors
<ul style="list-style-type: none"> DMX Channels- 28- Standard, 79- Enhanced Fixtures Per Universe- 18- Standard, 6- Enhanced 	Powercon Connector
	Road Case Included

Optical



Lumens*- 24,000
 RGB LED's- 126 Total (42 of Each)
 Zoom- 12°- 59°



Lumens- 27,000^
 White LED's- 126 Total
 Zoom- 12°- 59°
 Color Temperature- 6500K



Lumens*- 12,000
 RGB LED's- 63 Total (21 of Each)
 Zoom- 15°- 58°



Lumens- 13,500^
 White LED's- 63 Total
 Zoom- 15°- 58°
 Color Temperature- 6500K



*Calculated by comparing the combined energy levels of SHAPESHIFTER WRGBCMY to a theatrical metal halide color changing fixture and creating a factor.

^Calculated by three points. (center, middle and edge)

C1

W1

Electrical

C2

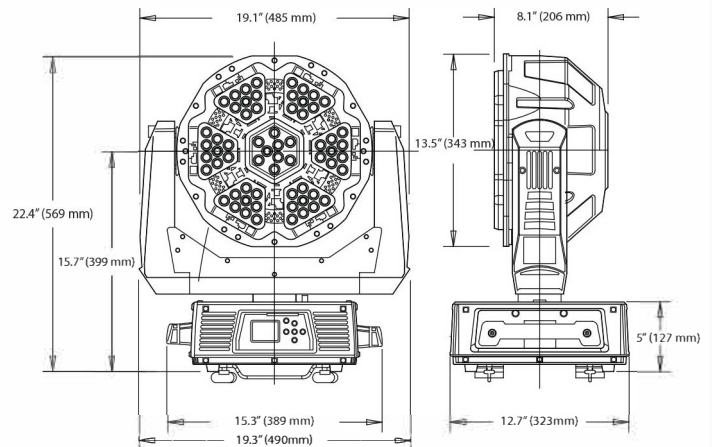
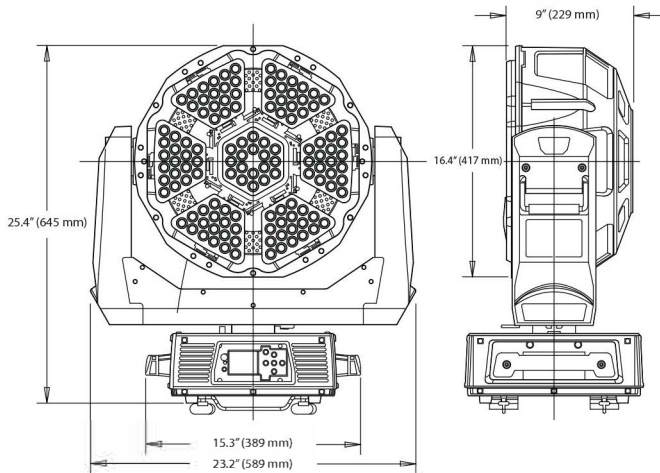
W2

Fixture Rated Power- 700W
 Input Power Rating- AC 100V - 240V 50/60 Hz
 7-3 Amps
 Auto Switching Power Supply
 Max Power Consumption at 0%- 122W
 Max Power Consumption at 50%- 218W
 Max Power Consumption at 100%- 520W

Fixture Rated Power- 360W
 Input Power Rating- AC 100V - 240V 50/60 Hz
 3.5-1.5 Amps
 Auto Switching Power Supply
 Max Power Consumption at 0%- 96W
 Max Power Consumption at 50%- 142W
 Max Power Consumption at 100%- 300W

Dimensions / Physical

Fixture Dimensions



Fixture Weight- 27 Kg (60 Lbs.)
 Road Case Gross / Shipping Weight- 61 Kg (134 Lbs.)
 Road Case- Single Fixture Case (Two Models)
 Road Case Dimensions- (L x W x H)-
 Top Load Model-
 • 660 mm (26 in.) x 540 mm (21.3 in.) x 905 mm (35.7 in.)
 Side Load Model-
 • 660 mm (26 in.) x 584 mm (23 in.) x 787 mm (31 in.)
 Minimum Distance to Flammable Objects- 2m (6.56 ft)
 Minimum Distance to Lighted Objects- 2m (6.56 ft.)

Fixture Weight- 20.4 Kg (45 Lbs.)
 Road Case Gross / Shipping Weight- 88.4 Kg (195 Lbs.)
 Road Case- Dual Fixture Case
 Road Case Dimensions- (L x W x H)-
 • 940 mm (37 in.) x 584 mm (23 in.) x 762 mm (30 in.)
 Minimum Distance to Flammable Objects- 1m (3.28 ft)
 Minimum Distance to Lighted Objects- 1m (3.28ft.)
 Operating Temperature- 0 - 45°C (32 - 113°F) (All Models)
 Storage Temperature- 20 - 60°C (0 - 140°F)

Mounting Options-

The fixtureS can be truss mounted using 1/4 camlock C-clamp mounting brackets. It can also stand upright on a stable surface.

Available Colors- Black
 HES PN- H7010010 SHAPESHIFTER C1
 HES PN- H7010012 SHAPESHIFTER C2

Compliance Approvals- CE, ETL



Available Colors- Black
 HES PN- H7010011 SHAPESHIFTER W1
 HES PN- H7010013 SHAPESHIFTER W2

Compliance Approvals- CE, ETL